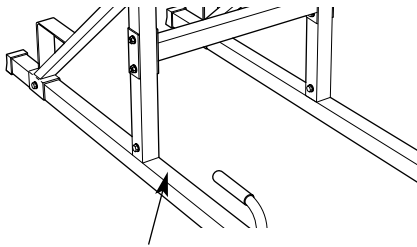


# WEIDER<sup>®</sup> PRO 300

Model No. WEBE13011

Serial No. \_\_\_\_\_

Write the serial number in the space above for reference.



Serial Number Decal

## QUESTIONS?

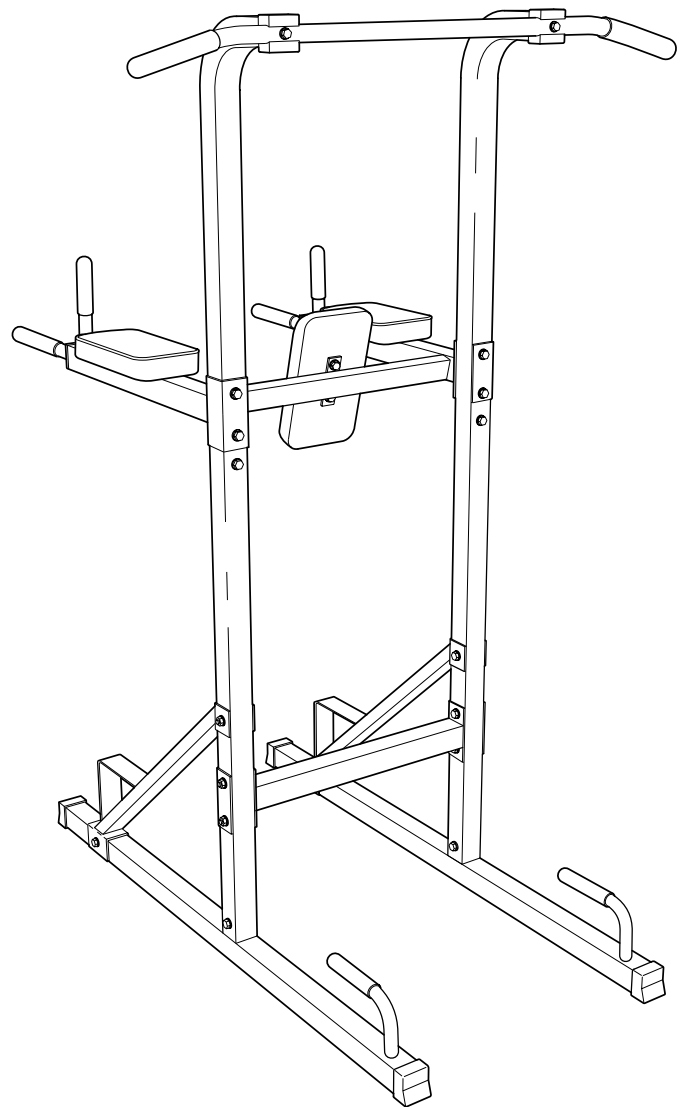
As a manufacturer, we are committed to providing complete customer satisfaction. If you have questions, or if there are missing parts, we will guarantee complete satisfaction through direct assistance from our factory.

**TO AVOID UNNECESSARY DELAYS, PLEASE CALL DIRECT TO OUR TOLL-FREE CUSTOMER HOT LINE.** The trained technicians on our customer hot line will provide immediate assistance, free of charge to you.

**CUSTOMER HOT LINE:**

**1-800-999-3756**

Mon.–Fri., 6 a.m.–6 p.m. MST



## CAUTION

Read all precautions and instructions in this manual before using this equipment. Save this manual for future reference.



Visit our website at

[www.weiderfitness.com](http://www.weiderfitness.com)

*new products, prizes,  
fitness tips, and much more!*

# TABLE OF CONTENTS

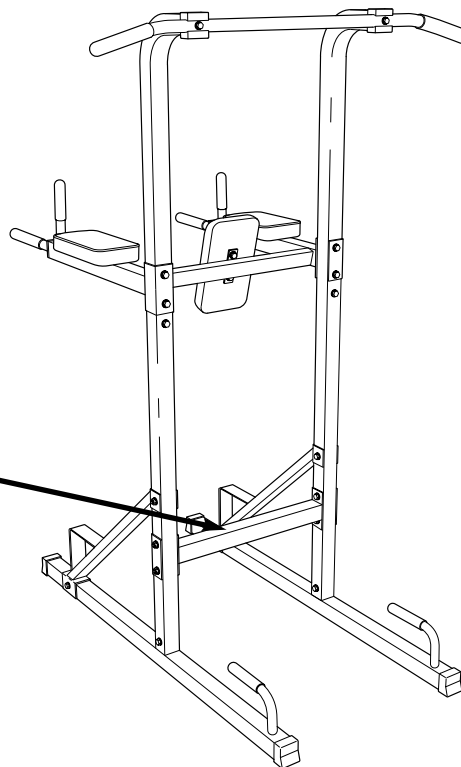
WARNING DECAL PLACEMENT .....	2
IMPORTANT PRECAUTIONS .....	3
BEFORE YOU BEGIN .....	4
PART IDENTIFICATION CHART .....	5
ASSEMBLY .....	6
EXERCISE GUIDELINES .....	10
PART LIST .....	14
EXPLODED DRAWING .....	15
ORDERING REPLACEMENT PARTS .....	Back Cover
FULL 90 DAY WARRANTY .....	Back Cover

## WARNING DECAL PLACEMENT

The decal shown here has been placed on the exercise rack in the indicated location. If the decal is missing or illegible, call our Customer Service Department toll-free at 1-800-999-3756, Monday through Friday, 6 a.m. until 6 p.m. Mountain Time, to order a free replacement decal. Apply the replacement decal in the location shown.

**! WARNING**

- Misuse of this product may result in serious injury.
- Read user's manual and follow all warnings and operating instructions prior to use.
- Do not allow children on or around machine.
- Replace label if damaged, illegible, or removed.



---

# IMPORTANT PRECAUTIONS

**⚠ WARNING:** To reduce the risk of serious injury, read the following important precautions before using the exercise rack.

1. Read all instructions in this manual before using the exercise rack. Use the exercise rack only as described in this manual.
2. It is the responsibility of the owner to ensure that all users of the exercise rack are adequately informed of all precautions.
3. The exercise rack is intended for home use only. Do not use the exercise rack in any commercial, rental, or institutional setting.
4. Use the exercise rack only on a level surface. Cover the floor beneath the exercise rack to protect the floor.
5. Keep children under 12 and pets away from the exercise rack at all times.
6. Make sure all parts are properly tightened each time you use the exercise rack. Replace any worn parts immediately.
7. Always wear athletic shoes for foot protection while exercising.
8. The exercise rack is designed to support a maximum user weight of 250 pounds.
9. If you feel pain or dizziness at any time while exercising, stop immediately and begin cooling down.

**⚠ WARNING:** Before beginning this or any exercise program, consult your physician. This is especially important for persons over the age of 35 or persons with pre-existing health problems. Read all instructions before using. ICON assumes no responsibility for personal injury or property damage sustained by or through the use of this product.

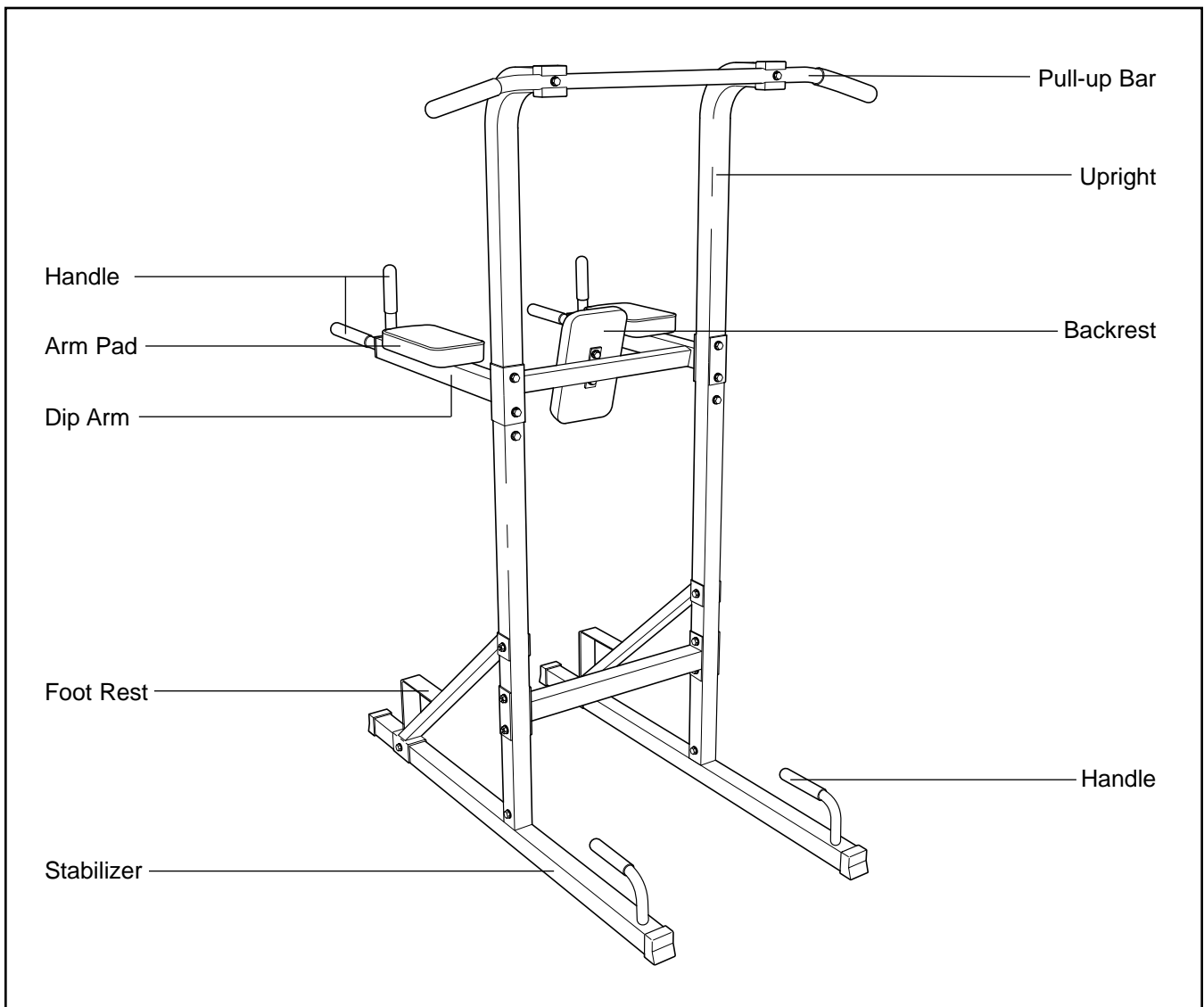
# BEFORE YOU BEGIN

Thank you for selecting the versatile WEIDER® PRO 300 exercise rack. The PRO 300 is designed to help you develop the major muscle groups of the upper body. Whether your goal is a shapely figure, dramatic increase in muscle size and strength, or a healthier cardiovascular system, the PRO 300 will help you achieve the specific results you want.

**For your benefit, read this manual carefully before using the exercise rack.** If you have additional questions, please call our Customer Service Department

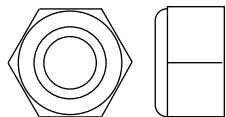
toll-free at 1-800-999-3756, Monday through Friday, 6 a.m. until 6 p.m. Mountain Time (excluding holidays). To help us assist you, please note the product model number and serial number before calling. The model number is WEBE13011. The serial number can be found on a decal attached to the exercise rack (see the front cover of this manual).

Before reading further, please review the drawing below and familiarize yourself with the parts that are labeled.

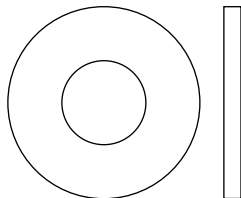


# PART IDENTIFICATION CHART

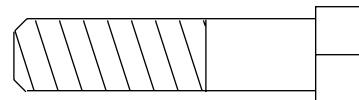
Refer to the drawings below to identify small parts used in assembly. The number in parentheses by each drawing is the key number of the part, from the PART LIST on page 14 of this manual. **Note: Some small parts may have been pre-attached. If a part is not in the parts bag, check to see if it has been pre-attached.**



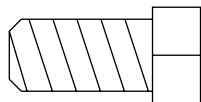
M10 Nylon Locknut (19)



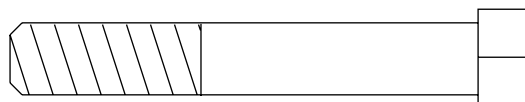
M10 Washer (18)



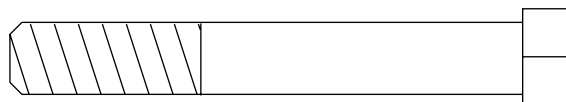
M10 x 40mm Bolt (21)



M10 x 19mm Bolt (22)



M10 x 62mm Bolt (16)



M10 x 68mm Bolt (23)

# ASSEMBLY

## Make Things Easier for Yourself



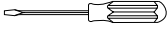
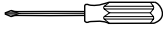
This manual is designed to ensure that the exercise rack can be assembled successfully by anyone. Most people find that by setting aside plenty of time, assembly will go smoothly.

**Before beginning assembly, carefully read the following information and instructions:**

- Assembly requires two people.
- For help identifying small parts, use the **PART IDENTIFICATION CHART** on page 5.
- Tighten all parts as you assemble them, unless instructed to do otherwise.
- As you assemble the exercise rack, make sure all parts are oriented as shown in the drawings.

- Place all parts in a cleared area and remove the packing materials. Do not dispose of the packing materials until assembly is completed.

**The following tools (not included) are required for assembly:**

- **Two adjustable wrenches** 
- **One rubber mallet** 
- **One standard screwdriver** 
- **One Phillips screwdriver** 
- **A small amount of soapy water.**

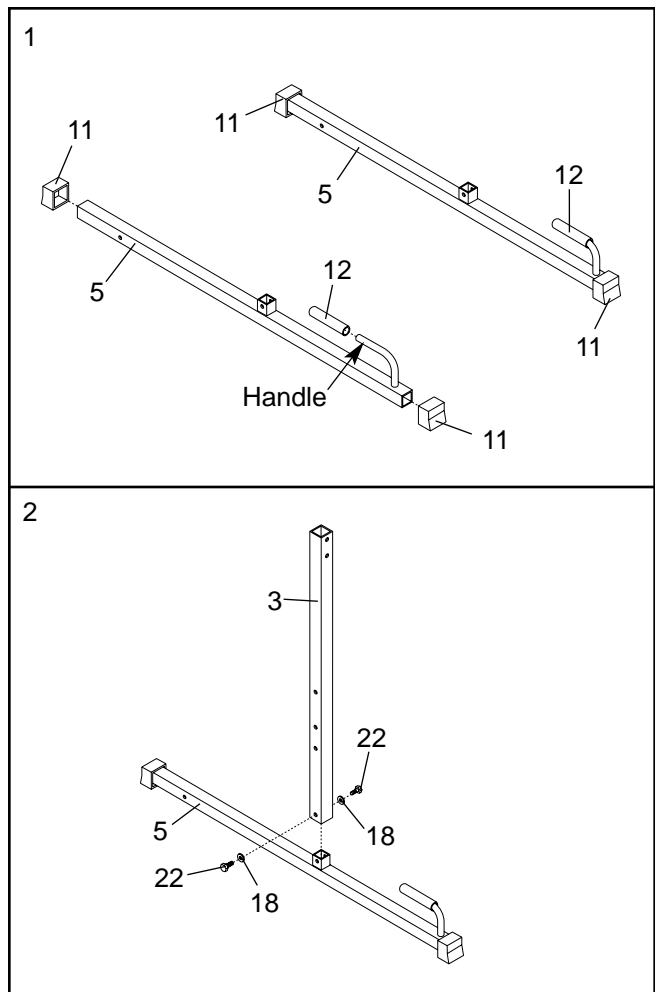
Assembly will be more convenient if you have a socket set, a set of open-end or closed-end wrenches, or a set of ratchet wrenches.

1. **Before beginning assembly, make sure you understand the information in the box above. Important: Some of the parts described in the assembly steps may be pre-assembled.**

Press an Endcap (11) onto each end of the two Stabilizers (5). Slide a Handgrip (12) onto the handle of each Stabilizer.

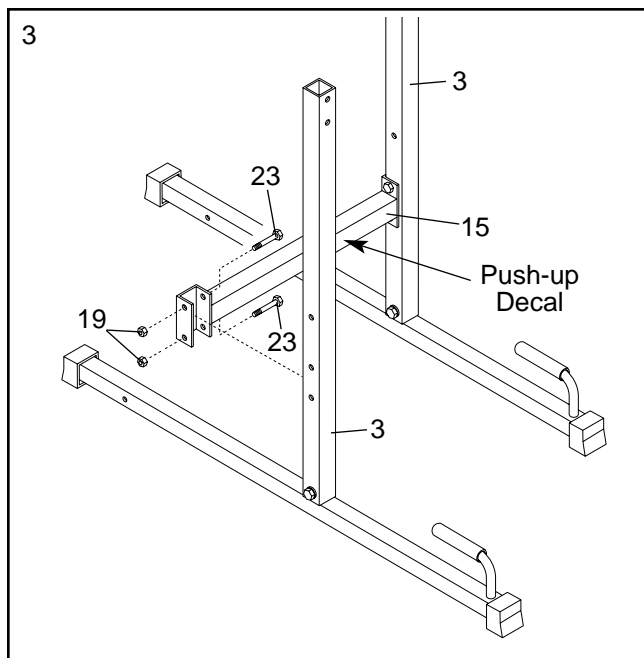
2. Attach an Upright Base (3) to a Stabilizer (5) with two M10 x 19mm Bolts (22) and two M10 Washers (18). **Do not tighten the Bolts yet.**

Attach the other Upright Base (3) to the other Stabilizer (5) in the same manner.



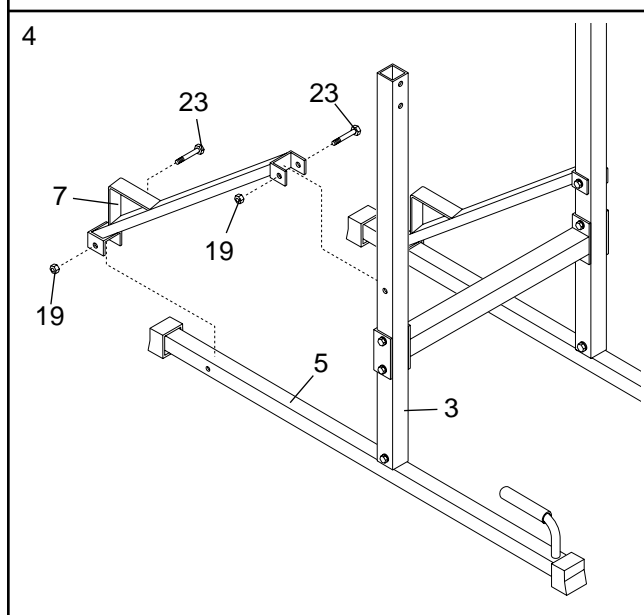
- Attach the Bottom Crossbar (15) to an Upright Base (3) with two M10 x 68mm Bolts (23) and two M10 Nylon Locknuts (19). **Note: Attach the Bottom Crossbar so that the indicated decal is in the indicated location. Do not tighten the Nylon Locknuts yet.**

Attach the Bottom Crossbar (15) to the other Upright Base (3) in the same manner.



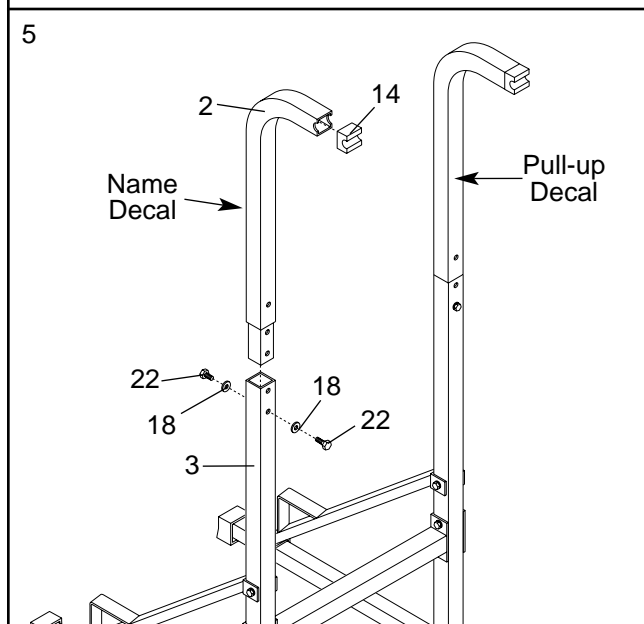
- Attach an Angled Support (7) to a Stabilizer (5) with an M10 x 68mm Bolt (23) and an M10 Nylon Locknut (19). Attach the Angled Support to the Upright Base (3) with another M10 x 68mm Bolt and an M10 Nylon Locknut. **Do not tighten the Nylon Locknuts yet.**

Attach the other Angled Support (7) to the other Stabilizer (5) and Upright Base (3) in the same manner.



- Press a Rubber Endcap (14) onto the end of an Upright (2). Orient the Upright as shown and attach it to an Upright Base (3) with two M10 x 19mm Bolts (22) and two M10 Washers (18). **Note: The Bolts must be attached to the lowest set of holes in the Upright and Upright Base. Do not tighten the Bolts yet.**

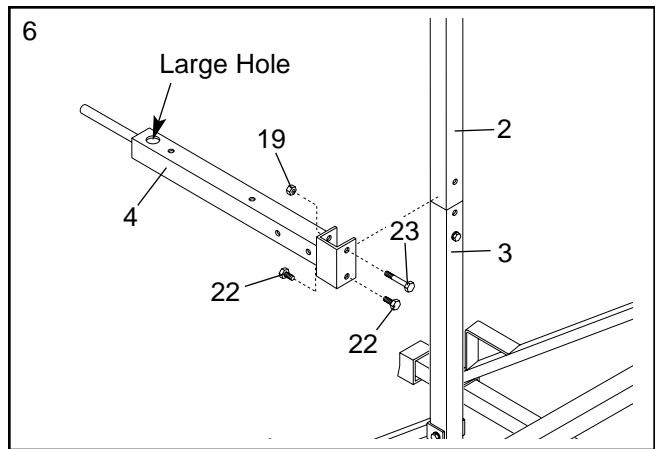
Attach the other Upright (2) to the other Upright Base (3) in the same manner. **Note: Attach the Uprights so that the name and pull-up decals are in the indicated locations.**



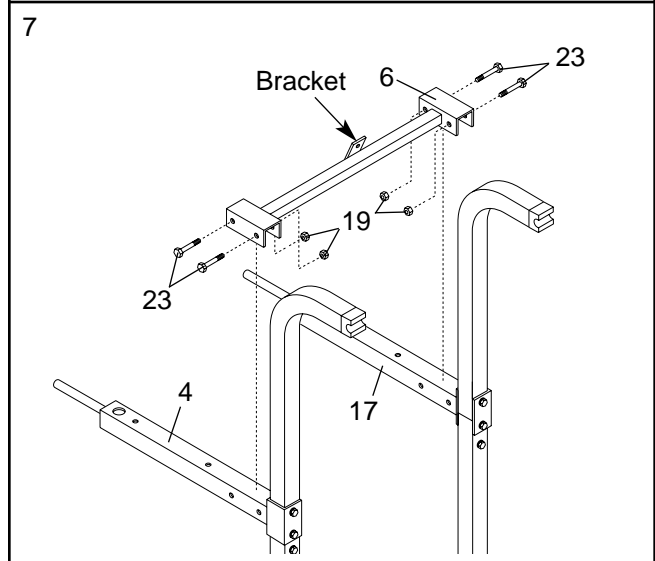
- Orient the Left Dip Arm (4) as shown, so that the large hole is on top. Attach the Left Dip Arm to the left Upright (2) with an M10 x 68mm Bolt (23) and an M10 Nylon Locknut (19). **Do not tighten the Nylon Locknut yet.**

Attach the Left Dip Arm (4) to the left Upright Base (3) with two M10 x 19mm Bolts (22). **Do not tighten the Bolts yet.**

Repeat this step with the Right Dip Arm (not shown).

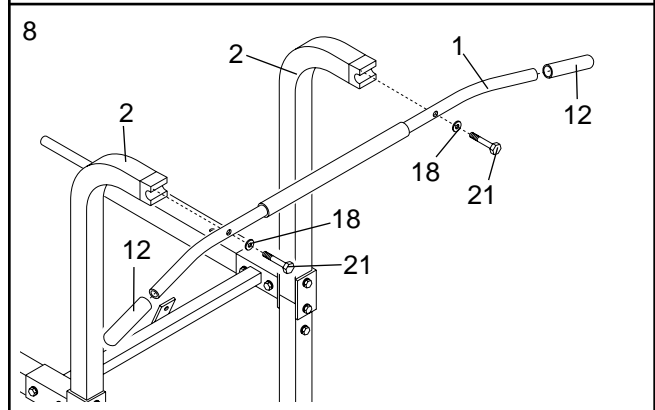


- Orient the Top Crossbar (6) with the bracket on the side shown. Attach the Top Crossbar to each Dip Arm (4, 17) with two M10 x 68mm Bolts (23) and two M10 Nylon Locknuts (19). **Do not tighten the Nylon Locknuts yet.**



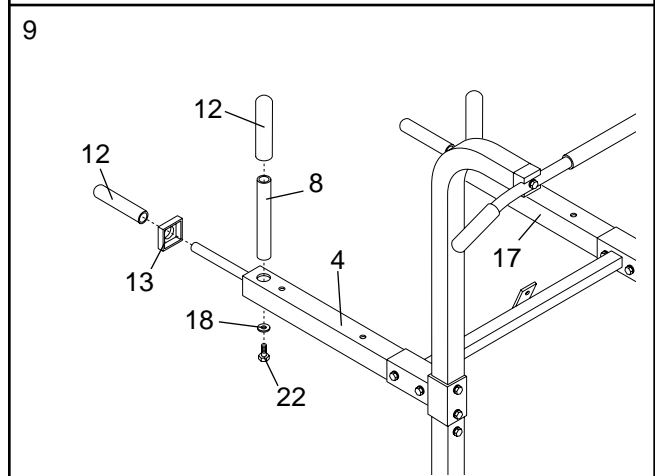
- Slide a Handgrip (12) onto each end of the Pull-up Bar (1). Attach the Pull-up Bar to the Uprights (2) with two M10 x 40mm Bolts (21) and two M10 Washers (18).

**Tighten all of the Bolts and Nylon Locknuts used in steps 2–8.**



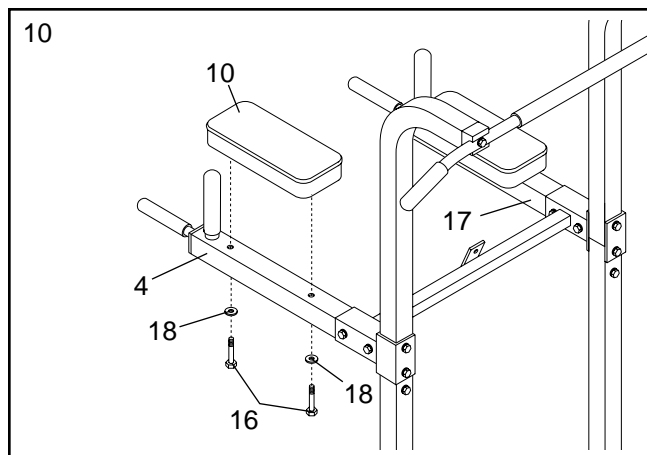
- Attach a Handle (8) to each Dip Arm (4, 17) with an M10 x 19mm Bolt (22) and an M10 Washer (18). Slide a Handgrip (12) onto each Handle.

Slide an Outer Cap (13) and a Handgrip (12) onto each Dip Arm (4, 17).

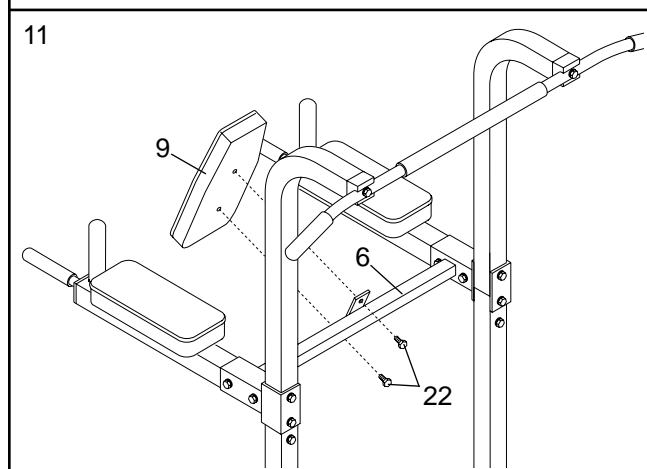




10. Attach an Arm Pad (10) to each Dip Arm (4, 17) with two M10 x 62mm Bolts (16) and two M10 Washers (18).



11. Attach the Backrest (9) to the Top Crossbar (6) with two M10 x 19mm Bolts (19).



12. **Make sure that all parts have been properly tightened before you use the exercise rack.**

---

# EXERCISE GUIDELINES

## THE FOUR BASIC TYPES OF WORKOUTS

### MUSCLE BUILDING

To increase the size and strength of your muscles, push them close to their maximum capacity. Your muscles will continually adapt and grow as you progressively increase the intensity of your exercise. You can adjust the intensity level of an individual exercise in two ways:

- by changing the amount of resistance used
- by changing the number of repetitions or sets performed. (A “repetition” is one complete cycle of an exercise, such as one sit-up. A “set” is a series of repetitions.)

The proper amount of resistance for each exercise depends upon the individual user. You must gauge your limits and select the amount of resistance that is right for you. Begin with 3 sets of 8 repetitions for each exercise you perform. Rest for 3 minutes after each set. When you can complete 3 sets of 12 repetitions without difficulty, increase the amount of resistance.

### TONING

You can tone your muscles by pushing them to a moderate percentage of their capacity. Select a moderate amount of resistance and increase the number of repetitions in each set. Complete as many sets of 15 to 20 repetitions as possible without discomfort. Rest for 1 minute after each set. Work your muscles by completing more sets rather than by using high amounts of resistance.

### WEIGHT LOSS

To lose weight, use a low amount of resistance and increase the number of repetitions in each set. Exercise for 20 to 30 minutes, resting for a maximum of 30 seconds between sets.

### CROSS TRAINING

Cross training is an efficient way to get a complete and well-balanced fitness program. An example of a balanced program is:

- Plan strength training workouts on Monday, Wednesday, and Friday.
- Plan 20 to 30 minutes of aerobic exercise, such as running on a treadmill or riding on an elliptical or exercise bike, on Tuesday and Thursday.
- Rest from both strength training and aerobic exercise for at least one full day each week to give your body time to regenerate.

The combination of strength training and aerobic exercise will reshape and strengthen your body, plus develop your heart and lungs.

## PERSONALIZING YOUR EXERCISE PROGRAM

Determining the exact length of time for each workout, as well as the number of repetitions or sets completed, is an individual matter. It is important to avoid overdoing it during the first few months of your exercise program. You should progress at your own pace and be sensitive to your body’s signals. If you experience pain or dizziness at any time while exercising, stop immediately and begin cooling down. Find out what is wrong before continuing. Remember that adequate rest and a proper diet are important factors in any exercise program.

### WARMING UP

Begin each workout with 5 to 10 minutes of stretching and light exercise to warm up. Warming up prepares your body for more strenuous exercise by increasing circulation, raising your body temperature and delivering more oxygen to your muscles.

### WORKING OUT

Each workout should include 6 to 10 different exercises. Select exercises for every major muscle group, emphasizing areas that you want to develop most. To give balance and variety to your workouts, vary the exercises from session to session.

Schedule your workouts for the time of day when your energy level is the highest. Each workout should be followed by at least one day of rest. Once you find the schedule that is right for you, stick with it.

### EXERCISE FORM

Maintaining proper form is an essential part of an effective exercise program. This requires moving through the full range of motion for each exercise, and moving only the appropriate parts of the body. Exercising in an uncontrolled manner will leave you feeling exhausted. On the exercise guide accompanying this manual you will find photographs showing the correct form for several exercises, and a list of the muscles affected. Refer to the muscle chart on the next page to find the names of the muscles.

The repetitions in each set should be performed smoothly and without pausing. The exertion stage of each repetition should last about half as long as the return stage. Proper breathing is important. Exhale during the exertion stage of each repetition and inhale during the return stroke. Never hold your breath.

Rest for a short period of time after each set. The ideal resting periods are:

- Rest for three minutes after each set for a muscle building workout.
- Rest for one minute after each set for a toning workout.
- Rest for 30 seconds after each set for a weight loss workout.

Plan to spend the first couple of weeks familiarizing yourself with the equipment and learning the proper form for each exercise.

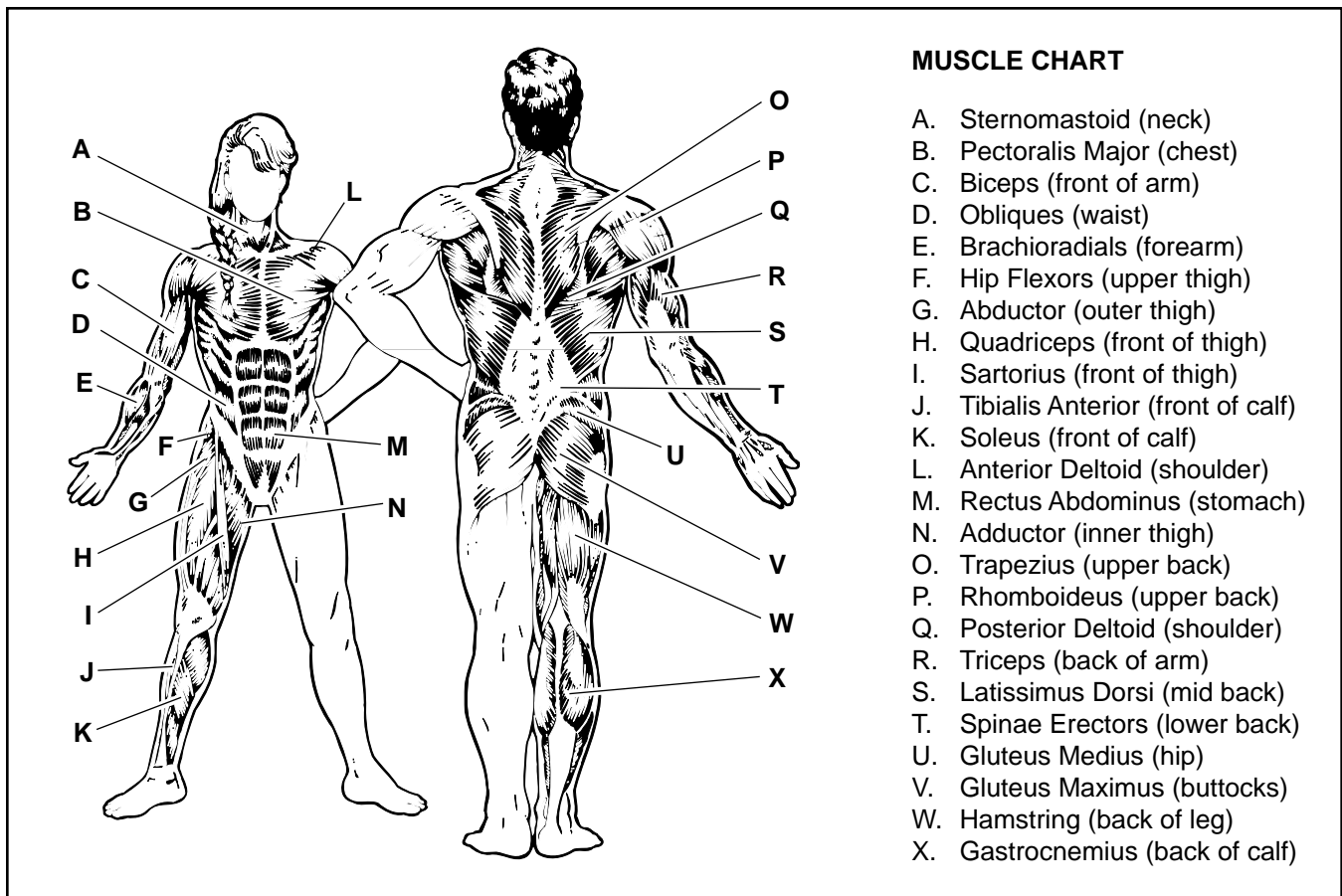
### COOLING DOWN

End each workout with 5 to 10 minutes of stretching. Include stretches for both your arms and legs. Move

slowly as you stretch and do not bounce. Ease into each stretch gradually and go only as far as you can without strain. Stretching at the end of each workout is an effective way to increase flexibility.

### STAYING MOTIVATED

For motivation, keep a record of each workout. The chart on pages 12 and 13 of this manual can be photocopied and used to schedule and record your workouts. List the date, the exercises performed, the resistance used, and the numbers of sets and repetitions completed. Record your weight and key body measurements at the end of every month. Remember, the key to achieving the greatest results is to make exercise a regular and enjoyable part of your everyday life.



<b>MONDAY</b>	<b>EXERCISE</b>	<b>SETS</b>	<b>REPS</b>
Date: ____ / ____ / ____			

---

**TUESDAY      AEROBIC EXERCISE**

Date:  
\_\_\_\_ / \_\_\_\_ / \_\_\_\_

<b>WEDNESDAY</b>	<b>EXERCISE</b>	<b>SETS</b>	<b>REPS</b>
Date: ____ / ____ / ____			

---

**THURSDAY      AEROBIC EXERCISE**

Date:  
\_\_\_\_ / \_\_\_\_ / \_\_\_\_

<b>FRIDAY</b>	<b>EXERCISE</b>	<b>SETS</b>	<b>REPS</b>
Date: ____ / ____ / ____			

Make photocopies of this page for scheduling and recording your workouts.

<b>MONDAY</b>	<b>EXERCISE</b>	<b>SETS</b>	<b>REPS</b>
Date: _ / _ / _			

---

**TUESDAY      AEROBIC EXERCISE**

Date:  
\_ / \_ / \_

<b>WEDNESDAY</b>	<b>EXERCISE</b>	<b>SETS</b>	<b>REPS</b>
Date: _ / _ / _			

---

**THURSDAY      AEROBIC EXERCISE**

Date:  
\_ / \_ / \_

<b>FRIDAY</b>	<b>EXERCISE</b>	<b>SETS</b>	<b>REPS</b>
Date: _ / _ / _			

Make photocopies of this page for scheduling and recording your workouts.

# PART LIST—Model No. WEBE13011

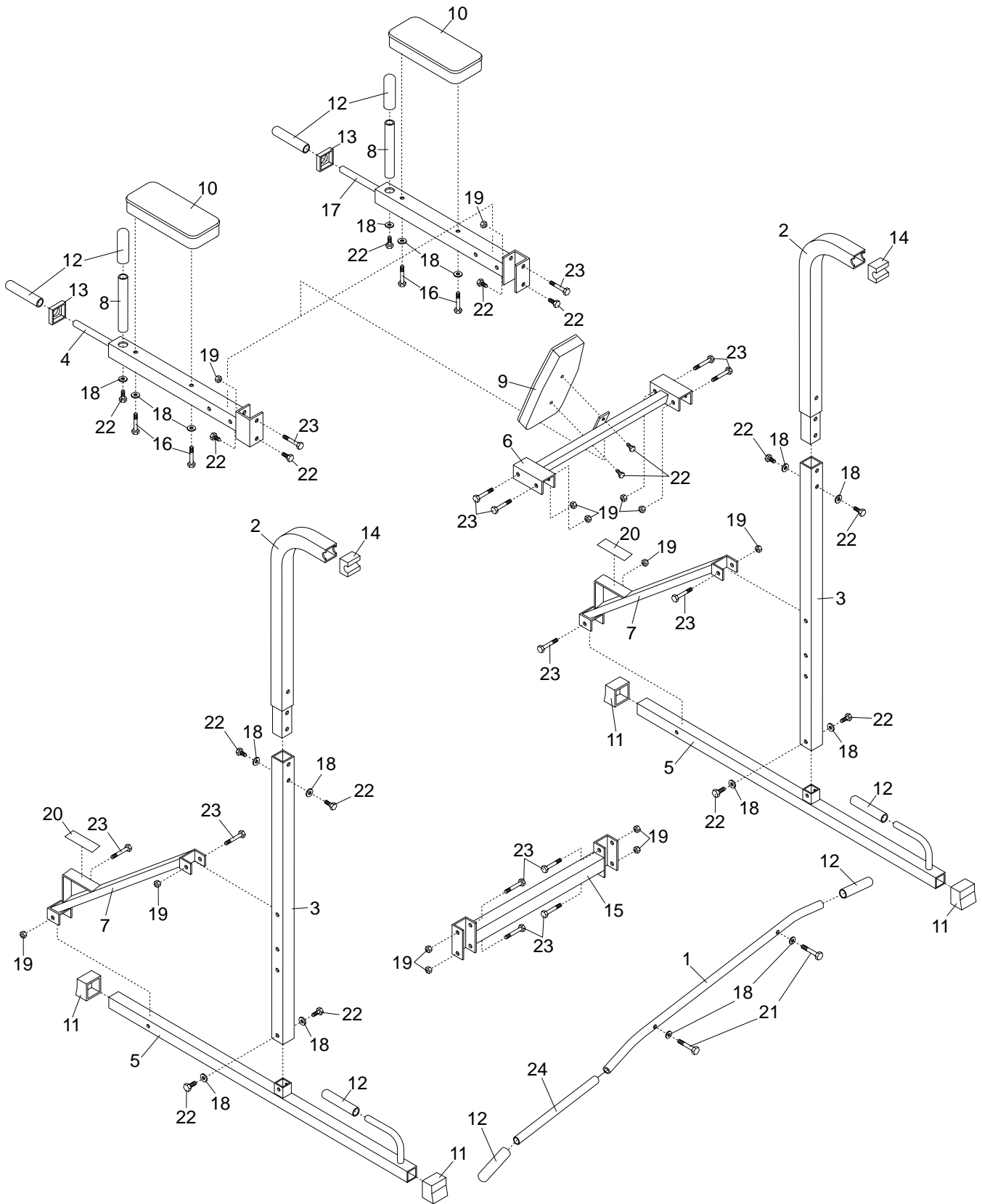
R0803A

Key No.	Qty.	Description	Key No.	Qty.	Description
1	1	Pull-up Bar	14	2	Rubber Endcap
2	2	Upright	15	1	Bottom Crossbar
3	2	Upright Base	16	4	M10 x 62mm Bolt
4	1	Left Dip Arm	17	1	Right Dip Arm
5	2	Stabilizer	18	16	M10 Washer
6	1	Top Crossbar	19	14	M10 Nylon Locknut
7	2	Angle Support	20	2	Rubber Pad
8	2	Handle	21	2	M10 x 40mm Bolt
9	1	Backrest	22	16	M10 x 19mm Bolt
10	2	Arm Pad	23	14	M10 x 68mm Bolt
11	4	Endcap	24	1	Foam Grip
12	8	Handgrip	#	1	User's Manual
13	2	Outer Cap			

Note: “#” indicates a non-illustrated part. Specifications are subject to change without notice. See the back cover of this manual for information about ordering replacement parts.

# EXPLODED DRAWING—Model No. WEBE13011

R0803A



---

## ORDERING REPLACEMENT PARTS

To order replacement parts, call our Customer Service Department toll-free at 1-800-999-3756, Monday through Friday, 6 a.m. until 6 p.m. Mountain Time (excluding holidays). To help us assist you, please be prepared to give the following information when calling:

- The MODEL NUMBER of the product (WEBE13011)
- The NAME of the product (WEIDER® PRO 300 exercise rack)
- The SERIAL NUMBER of the product (see the front cover of this manual)
- The KEY NUMBER and DESCRIPTION of the desired part(s) (see the PART LIST and the EXPLODED DRAWING on pages 14 and 15 of this manual).

---

## LIMITED WARRANTY

ICON Health & Fitness, Inc. (ICON), warrants this product to be free from defects in workmanship and material, under normal use and service conditions, for a period of ninety (90) days from the date of purchase. This warranty extends only to the original purchaser. ICON's obligation under this warranty is limited to replacing or repairing, at ICON's option, the product through one of its authorized service centers. All repairs for which warranty claims are made must be pre-authorized by ICON. This warranty does not extend to any product or damage to a product caused by or attributable to freight damage, abuse, misuse, improper or abnormal usage or repairs not provided by an ICON authorized service center; products used for commercial or rental purposes; or products used as store display models. No other warranty beyond that specifically set forth above is authorized by ICON.

ICON is not responsible or liable for indirect, special or consequential damages arising out of or in connection with the use or performance of the product or damages with respect to any economic loss, loss of property, loss of revenues or profits, loss of enjoyment or use, costs of removal or installation or other consequential damages of whatsoever nature. Some states do not allow the exclusion or limitation of incidental or consequential damages. Accordingly, the above limitation may not apply to you.

The warranty extended hereunder is in lieu of any and all other warranties and any implied warranties of merchantability or fitness for a particular purpose is limited in its scope and duration to the terms set forth herein. Some states do not allow limitations on how long an implied warranty lasts. Accordingly, the above limitation may not apply to you.

This warranty gives you specific legal rights. You may also have other rights which vary from state to state.

**ICON HEALTH & FITNESS, INC., 1500 S. 1000 W., LOGAN, UT 84321-9813**